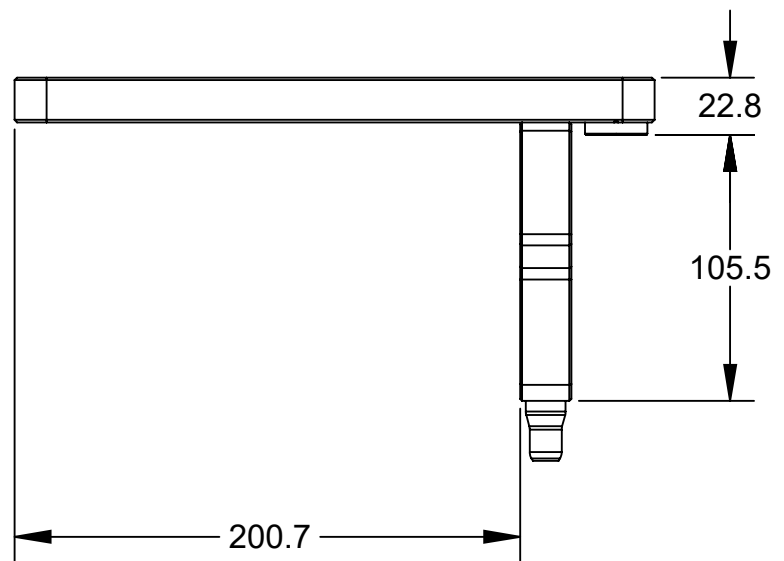
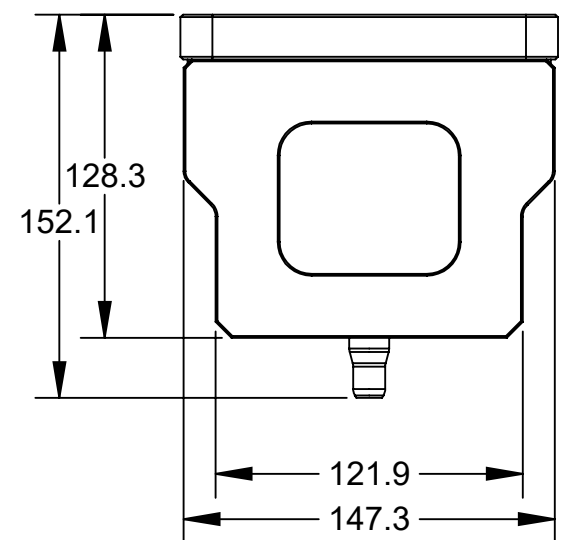
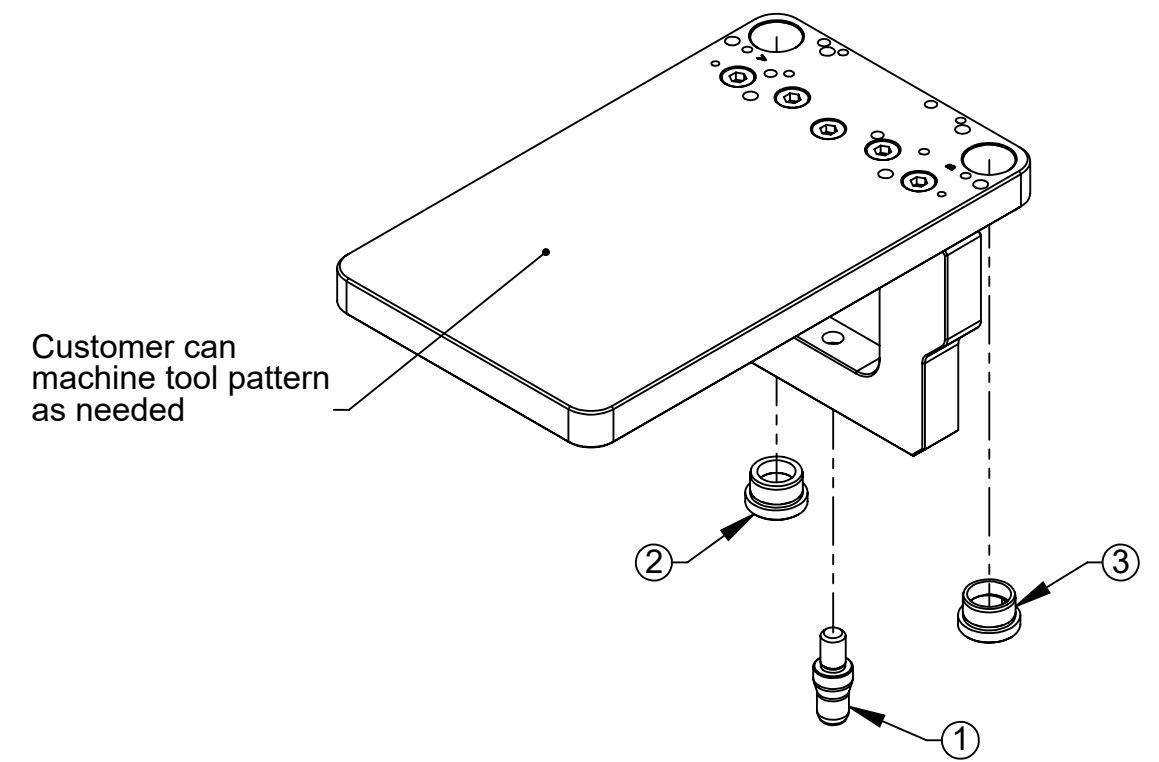
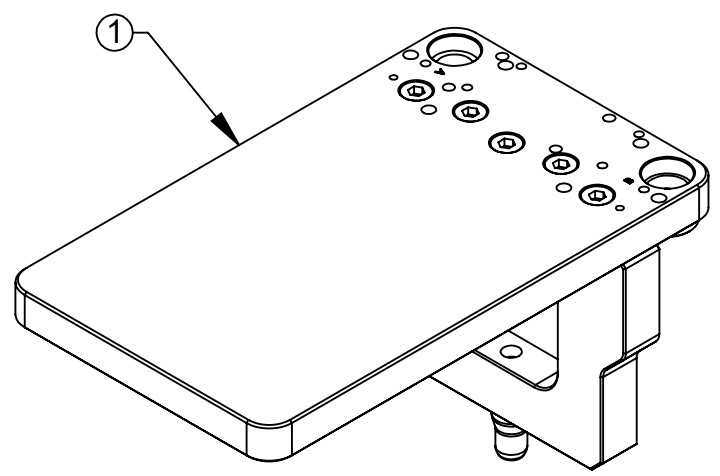
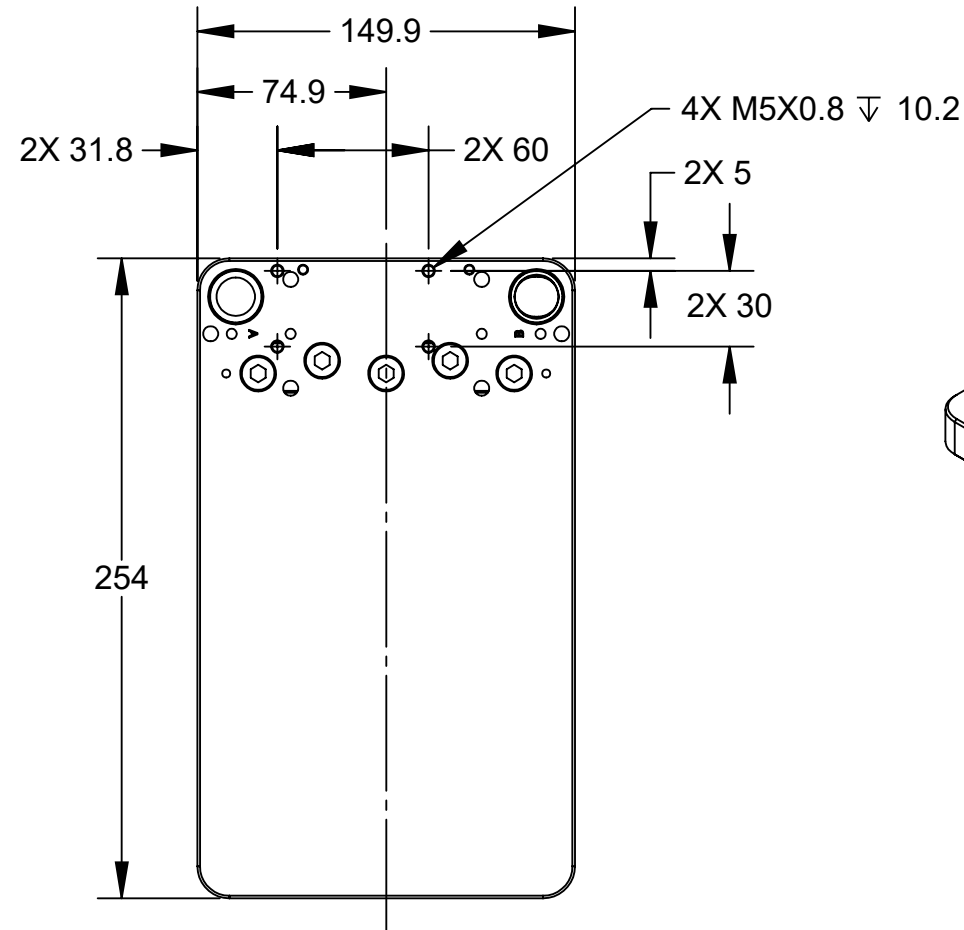


Rev.	Description	Initiator	Date
04	ECO 20595: Updated to reflect addition of 2x M4x0.7 ∇ .32 (see top view)	REH	1/18/2022

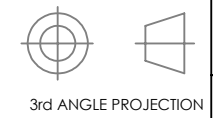


Serviceable Items			
ITEM NO.	QTY.	PART NUMBER	DESCRIPTION
1	1	3700-20-8434	TSM Pin & Bushing, Alignment Pin, Dual Taper
2	1	3700-20-8435	Drill Bushing, Flanged, 16mm ID
3	1	3700-20-8436	Drill Bushing, Flanged, Elongated, 16mm ID

ITEM NO.	QTY.	PART NUMBER	DESCRIPTION
1	1	9120-TSM-HBB-9223	TSM Tooling Interface Plate - Blank

Notes:
 1. Plate material: 6061-T6 Aluminum, soft coat black anodize.
 2. Weight: approx 5.5 lbs

NOTES: UNLESS OTHERWISE SPECIFIED.
 DO NOT SCALE DRAWING. ALL DIMENSIONS ARE IN MILLIMETERS.



1031 Goodworth Drive, Apex, NC 27539, USA
 Tel: +1.919.772.0115 Fax: +1.919.772.8259
 www.ati-ia.com ISO 9001 Registered Company

PROPERTY OF ATI INDUSTRIAL AUTOMATION, INC. NOT TO BE REPRODUCED IN ANY MANNER EXCEPT ON ORDER OR WITH PRIOR WRITTEN AUTHORIZATION OF ATI.

DRAWN BY: D. Wooden 02/24/15		TITLE	
CHECKED BY: J. Winterroth 03/04/15		TSM Tooling Interface Plate - Blank	
PROJECT # 130510-5	SHEET 1 OF 1	SCALE 1:3	SIZE B
		DRAWING NUMBER	REVISION
		9630-20-TSM-HBB-9223	04